

Vegetable Slicer TRS Vegetable Slicer

ITEM # _____
 MODEL # _____
 NAME # _____
 SIS # _____
 AIA # _____



600476 (TRS24YU)

VEGETABLE SLICER-1
 SPEED-750W-100-120V/1p-
 h/60Hz

Short Form Specification

Item No. _____

TRS Vegetable Cutter, heavy duty, single speed (400 RPM), designed for high volume dicing requirements, stainless steel hopper and lever, rear handle, removable cutting chamber and ejector plate. Metal motor housing. 750W, 1 HP motor. Cutting discs NOT included.

APPROVAL: _____

Main Features

- Suitable for 100-400 meals for table service and up to 800 meals for catering service.
- Vegetable slicer unit has slicing, grating, shredding (julienne) as well as dicing and french fries capabilities.
- Ergonomically designed for right and left-handed users, frontal working and to reduce working space around the machine.
- All parts in contact with food are removable without the use of tools, stainless steel hopper, stainless steel lever and cutting chamber are dishwasher safe.
- Hopper easily removed for cleaning.
- Base inclined at 20° to provide easy loading and unloading.
- High discharge zone permits the use of deep containers up to 8" high (20cm).
- Complete and wide selection of blades and grids available, Diameter of blades and grids are 8" (205mm).
- Pulse function for precise cutting.
- Magnetic safety system and motor brake. Prevents machine from running when lever swings away or is open.
- Automatic restart of the machine with the 3/4 moon shaped pusher in position.
- Continuous feed model.
- Large round (long vegetable) and large 3/4 moon feed hoppers.
- Delivered with: All stainless steel vegetable prep attachment with a lever-integrated long vegetable hopper and a large round hopper.

Construction

- Compact and portable design.
- Improved ventilation system to manage smoothly heavy duty use.
- Reinforced basement and feet to withstand the continuous movements of the unit.
- Improved fixing of long vegetable hopper pusher.
- Power: 750 watts (1 HP).
- 1 speed: 400 rpm - for precise cutting, slicing and dicing.
- Rear handle for ergonomic and safe movement.

Included Accessories

- 1 of TRS & TRK ejector plate PNC 653772

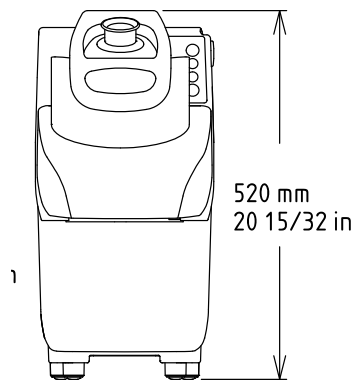
Optional Accessories

- Julienne Disc 5/32" (4mm) PNC 650077
- Julienne Disc 1/4" (6mm) PNC 650078
- Julienne Disc 5/16" (8mm) PNC 650079
- Julienne Disc 3/8" (10mm) PNC 650080
- Slicing Disc 0.6mm (can be combined with Dicing Grids (MT) and Grids for Chips (FT)) PNC 650081
- Slicing Disc 1/32" (1mm) (can be combined with Dicing Grids (MT) and Grids for Chips (FT)) PNC 650082

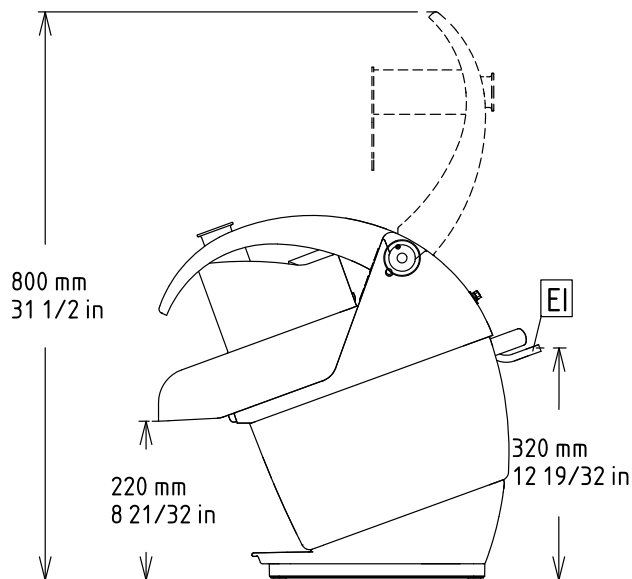


• Slicing Disc 5/64" (2mm) (can be combined with Dicing Grids (MT) and Grids for Chips (FT))	PNC 650083	<input type="checkbox"/>	• Dicing Grid 3/8" x 3/8" (10 x 10mm) (can be combined with Slicing Discs [C] and Wavy Slicing Discs (CW))	PNC 653568	<input type="checkbox"/>
• Slicing Disc 1/8" (3mm) (can be combined with Dicing Grids (MT) and Grids for Chips (FT))	PNC 650084	<input type="checkbox"/>	• Dicing Grid 15/32" x 15/32" (12 x 12mm) (can be combined with Slicing Discs [C] and Wavy Slicing Discs (CW))	PNC 653569	<input type="checkbox"/>
• Slicing Disc 5/32" (4mm) (can be combined with Dicing Grids (MT) and Grids for Chips (FT))	PNC 650085	<input type="checkbox"/>	• Dicing Grid 25/32" x 25/32" (20 x 20mm) (can be combined with Slicing Discs [C] and Wavy Slicing Discs (CW))	PNC 653570	<input type="checkbox"/>
• Slicing Disc 3/16" (5mm) (can be combined with Dicing Grids (MT) and Grids for Chips (FT))	PNC 650086	<input type="checkbox"/>	• Grid for Chips 1/4" (6mm) (can be combined with Slicing Discs [C] and Wavy Slicing Discs (CW))	PNC 653571	<input type="checkbox"/>
• Slicing Disc 1/4" (6mm) (can be combined with Dicing Grids (MT) and Grids for Chips (FT))	PNC 650087	<input type="checkbox"/>	• Grid for Chips 5/16" (8mm) (can be combined with Slicing Discs [C] and Wavy Slicing Discs (CW))	PNC 653572	<input type="checkbox"/>
• Slicing Disc 5/16" (8mm) (can be combined with Dicing Grids (MT) and Grids for Chips (FT))	PNC 650088	<input type="checkbox"/>	• Grid for Chips 3/8" (10mm) (can be combined with Slicing Discs [C] and Wavy Slicing Discs (CW))	PNC 653573	<input type="checkbox"/>
• Wavy Slicing Disc 5/64" (2mm) (can be combined with Dicing Grids (MT) and Grids for Chips (FT))	PNC 650089	<input type="checkbox"/>	• TRS & TRK ejector plate	PNC 653772	<input type="checkbox"/>
• Wavy Slicing Disc 1/8" (3mm) (can be combined with Dicing Grids (MT) and Grids for Chips (FT))	PNC 650090	<input type="checkbox"/>	• Grating Disc 5/64" (2mm)	PNC 653773	<input type="checkbox"/>
• Wavy Slicing Disc 1/4" (6mm) (can be combined with Dicing Grids (MT) and Grids for Chips (FT))	PNC 650091	<input type="checkbox"/>	• Grating Disc 1/8" (3mm)	PNC 653774	<input type="checkbox"/>
• Bistrot Pack, Stainless Steel Disc Set containing one each of: C2S 5/64" (2mm) slicing disc, C5S 3/16" (5mm) slicing disc, J2X 5/64" (2mm) grating disc	PNC 650092	<input type="checkbox"/>	• Grating Disc 5/32" (4mm)	PNC 653775	<input type="checkbox"/>
• DISC SET PIZZA (C2SX, C4SX, J7X)	PNC 650107	<input type="checkbox"/>	• Grating Disc 9/32" (7mm)	PNC 653776	<input type="checkbox"/>
• Cleaning tool for TRS, TRK & TR210 3/16"-5/16"-3/8" (5-8-10 mm) dicing grids	PNC 650110	<input type="checkbox"/>	• Grating Disc 11/32" (9mm)	PNC 653777	<input type="checkbox"/>
• Julienne Disc 5/64" x 5/16" (2 x 8mm)	PNC 650158	<input type="checkbox"/>	• Grating Disc for breadcrumbs/potatoes	PNC 653778	<input type="checkbox"/>
• Julienne Disc 5/64" x 3/8" (2 x 10mm)	PNC 650159	<input type="checkbox"/>	• Grating Disc for parmesan/chocolate	PNC 653779	<input type="checkbox"/>
• Slicing Disc 3/8" (10mm) (can be combined with Dicing Grids (MT) and Grids for Chips (FT))	PNC 650160	<input type="checkbox"/>			
• Slicing Disc 15/32" (12mm) (can be combined with Dicing Grids (MT) and Grids for Chips (FT))	PNC 650161	<input type="checkbox"/>			
• Wavy Slicing Disc 5/16" (8mm) (can be combined with Dicing Grids (MT) and Grids for Chips (FT))	PNC 650162	<input type="checkbox"/>			
• Wavy Slicing Disc 3/8" (10mm) (can be combined with Dicing Grids (MT) and Grids for Chips (FT))	PNC 650164	<input type="checkbox"/>			
• Slicing Disc 33/64" (13mm) (can be combined with Dicing Grids (MT) and Grids for Chips (FT))	PNC 650165	<input type="checkbox"/>			
• Julienne Disc 5/64" (2mm)	PNC 650166	<input type="checkbox"/>			
• Julienne Disc 1/8" (3mm)	PNC 650167	<input type="checkbox"/>			
• Set of 4 Stainless Steel Discs containing one each of: C2S 5/64" (2mm) slicing disc, C5S 3/16" (5mm) slicing disc, J2X 5/64" (2mm) grating disc and J7X 9/32" (7mm) grating disc	PNC 650178	<input type="checkbox"/>			
• Stainless steel work table assembly.	PNC 653283	<input type="checkbox"/>			
• Dicing Grid 3/16" x 3/16" (5 x 5mm) (can be combined with Slicing Discs [C] and Wavy Slicing Discs (CW))	PNC 653566	<input type="checkbox"/>			
• Dicing Grid 5/16" x 5/16" (8 x 8mm) (can be combined with Slicing Discs [C] and Wavy Slicing Discs (CW))	PNC 653567	<input type="checkbox"/>			

Front

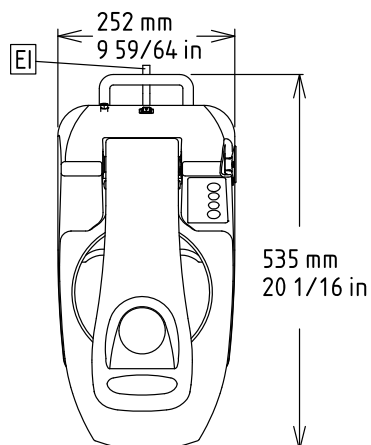


Side



EI = Electrical connection

Top


Electric

Supply voltage:	100-120 V/1N ph/60 Hz
Total Watts:	0.75 kW
Plug type:	USA NEMA 5-15P

Key Information:

External dimensions, Width:	9 15/16" (252 mm)
External dimensions, Depth:	19 11/16" (500 mm)
External dimensions, Height:	20 1/4" (515 mm)
Shipping width:	13" (330 mm)
Shipping depth:	25 3/16" (640 mm)
Shipping height:	23 5/8" (600 mm)
Shipping weight:	60 lbs (27 kg)

